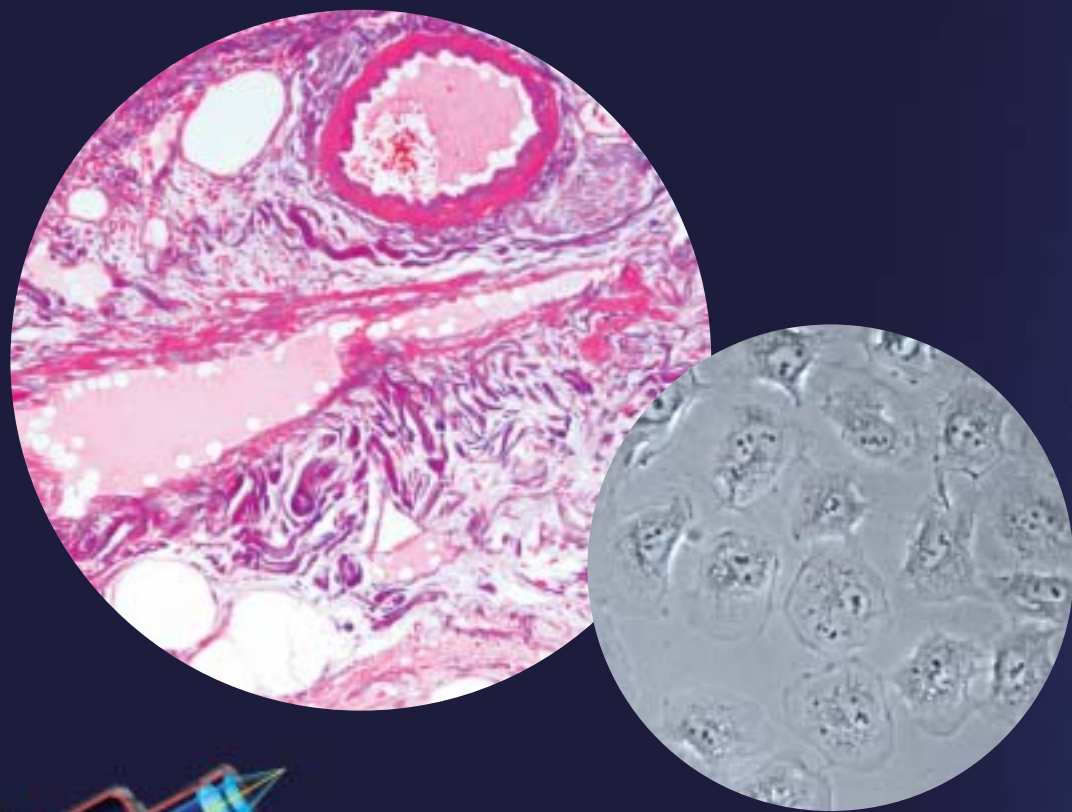




# Biological Microscope ECLIPSE E100





## ECLIPSE E100

### Nikon's CFI optical system and new dedicated objectives produce high quality images.

Nikon, the global leader in advanced optical technology, designed the new infinity corrected microscope to provide outstanding optical performance with elegant ergonomic touches. With a very small footprint, the Eclipse E100 fits easily into the minimum storage space. Its revolutionary CFI\* optics achieve flat and sharp images right up to the periphery of the viewfield. Allowing phase contrast observations as well as brightfield, the Eclipse E100 is the perfect choice for education and routine laboratory use.

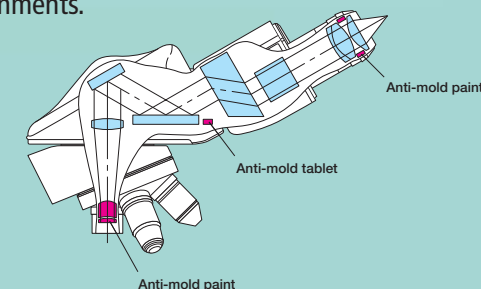
\*Chromatic-aberration Free Infinity

#### Newly developed objective lenses for flat images

Nikon has developed the new CFI BE Plan objectives, which feature superior image flatness, exclusively for the E100. Chromatic aberration and field curvature are corrected over the entire field of view. Images are clear and bright at every magnification. The E100 provides first class optical quality at a modest price.

#### Anti-mold design

Anti-mold paint and an anti-mold tablet are used in the objective lenses, eyepiece lenses and eyepiece tubes to prevent mold forming in high-humidity environments.





## Compact, lightweight body with enhanced operability—providing ease of use



### Binocular and trinocular eyepiece tubes available

The Eclipse E100 employs a Siedentopf-type eyepiece tube that provides a constant and accurate eyepiece tube length. Both binocular and trinocular eyepiece tubes are available. A digital camera can be attached to the trinocular eyepiece tube.\*

\*See "Eyepiece tube" on page 6.



### Observation with comfort

The eyepiece tube is inclined at 30°, allowing comfortable viewing in a natural posture. By simply swinging the front part of the eyepiece tube, the user can adjust the eyepoint height by up to 34mm to find the most comfortable height for observation. In addition, the interpupillary distance adjustment and the diopter adjustment ring are designed to accommodate a wide range of operators.

### Smooth rotation quadruple nosepiece

The high-quality revolving nosepiece has a superior internal detent click-stop mechanism. A knurled elastic covered grip around the base of the nosepiece makes the nosepiece easy to rotate and eliminates the need to touch the objectives.

### Double-plate mechanical stage

The built-in stage has a double-plate mechanism with an XY dual travel control. The large, flat stage surface facilitates easy specimen handling. Because the height of the X-axis guide rail is level with the stage surface and the stage surface is flat and smooth, glass slides move easily over the surface. A spring-loaded slide holder is included.



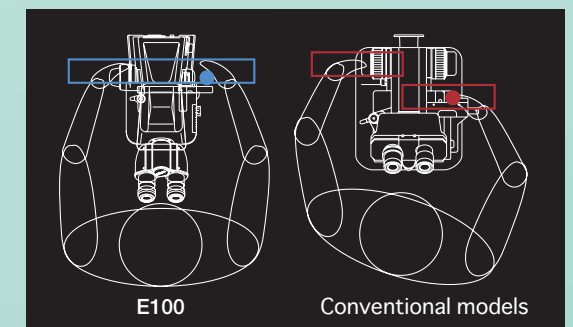
### Condenser with position guide markings

The condenser comes with an aperture diaphragm with position guide markings for the 4x, 10x, 40x, 60x and 100x objectives to make operations quick and easy, ensuring perfect specimen images.



### Coaxial coarse/fine focus knob

The coaxial coarse/fine focus knob is comfortably located at desk-height level. The focus knob and the stage handle are ergonomically designed and are located equidistant from the operator, meaning they can both be easily adjusted from a normal sitting position. In addition, the torque of the coarse focus knob can be adjusted.



Comparison of the positions of the stage handle and focus control knob

### Easy-to-replace halogen lamp

The powerful long life 6V-20W halogen lamp is adjustable up to 6V for convenient illumination control. Replacing the lamp is easy and trouble-free. Simply detach the FL (field lens) unit and replace.



### Convenient for transportation and storage

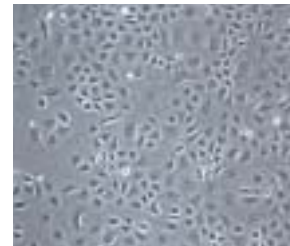
The microscope body is compact and lightweight. A cord hanger and storage case are available to make transporting and storing the E100 easier.



## Accessories corresponding to a wide variety of applications

### Phase contrast attachment

Simple phase contrast observation at 10x and 40x is possible with a single phase annulus slider. The aperture diaphragm automatically opens when the slider is inserted into the condenser. A phase contrast 100x slider and darkfield ring stop for 10x, 20x or 40x objectives are available as options.



### Mirror unit

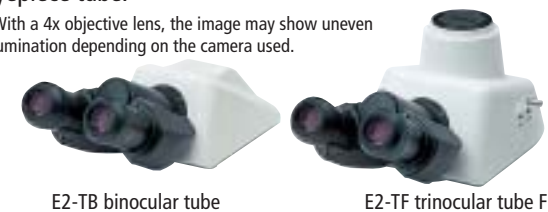
A mirror unit is available for observation where there is no access to a power source. Removal of the FL (field lens) unit and insertion of the mirror unit in its place is easy.



### Eyepiece tube

Siedentopf-type binocular and trinocular eyepiece tubes are available. A digital camera can be attached to the trinocular eyepiece tube.\*

\*With a 4x objective lens, the image may show uneven illumination depending on the camera used.



### Condenser

An Abbe condenser for brightfield observation and a phase condenser for phase contrast and darkfield observations are available.



### Cord hanger

The power cord can be simply wound up when not in use.



### Storage case

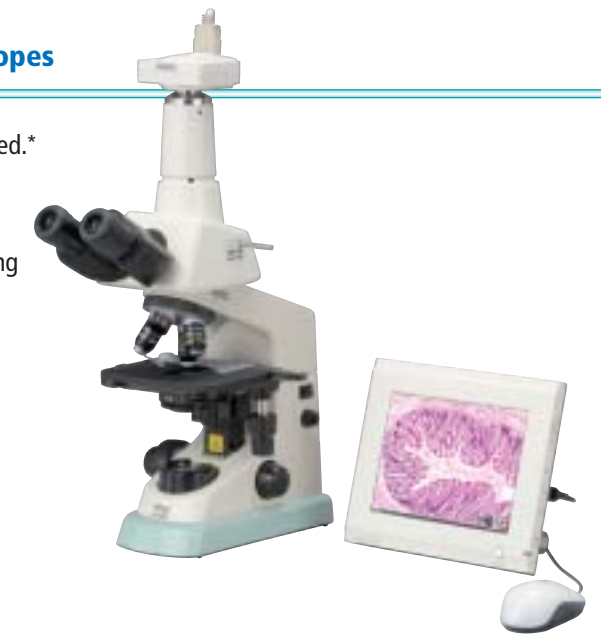
Available in both wood and aluminum, the dedicated storage case is handy for transporting and storing the E100.



### Digital Sight series digital camera system for microscopes

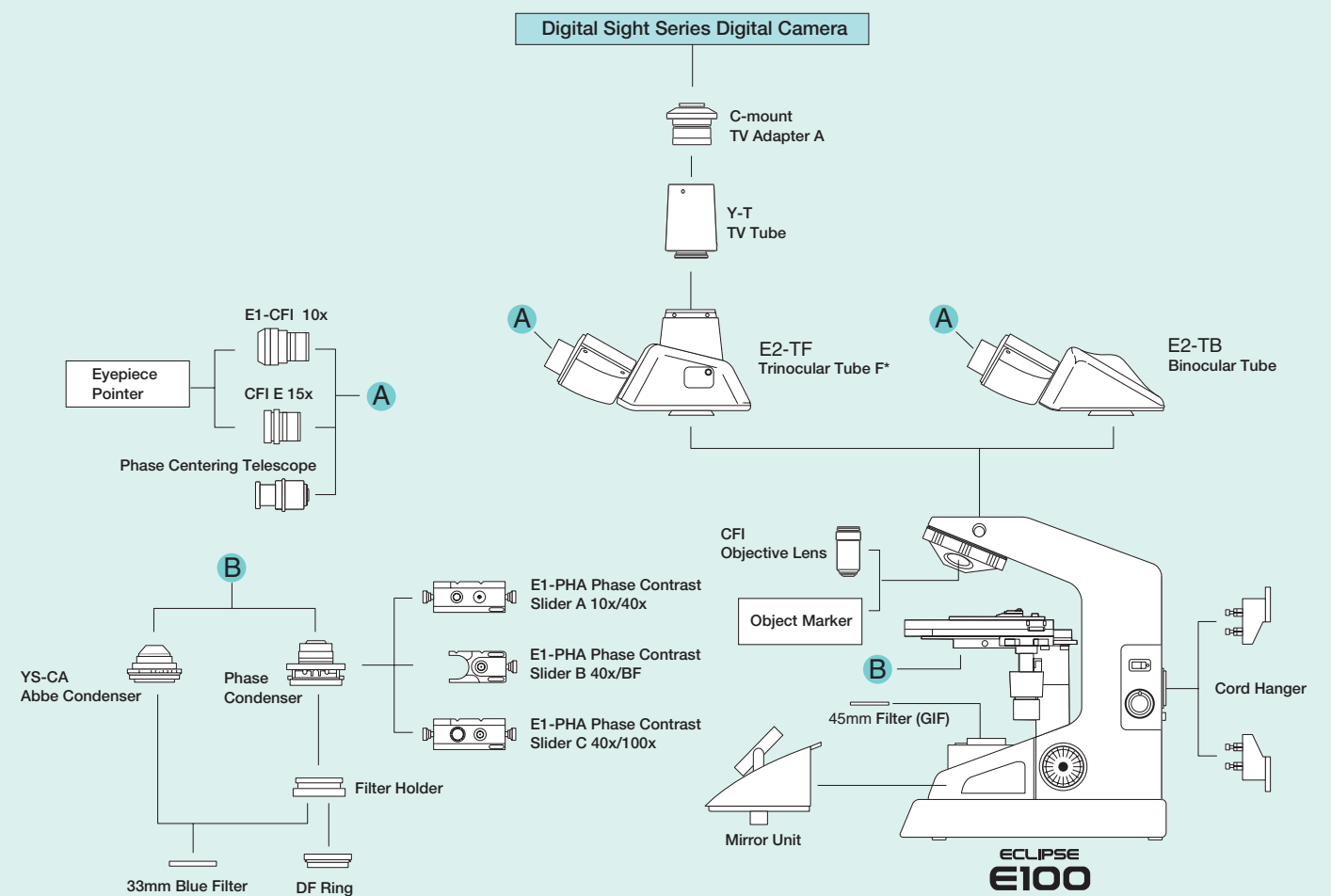
When the trinocular eyepiece tube is used, a digital camera can be attached.\* The DS-2Mv-L2, a color camera head combined with a standalone control unit, enables focusing and viewing of images on the built-in 8.4-in. LCD monitor without the need for a PC. The optimum imaging conditions that match the observation technique in use can be automatically set by clicking on the appropriate "scene mode." Storing optimal images is easy.

\*See "Eyepiece tube" on page 6.



### System Diagram

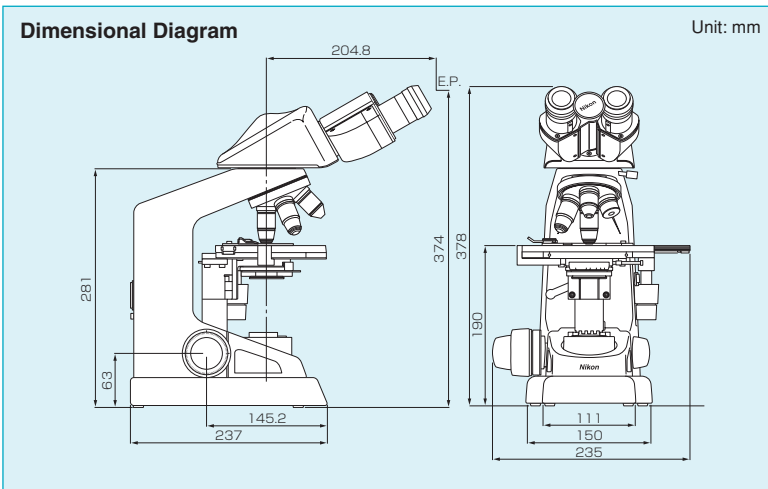
# System Diagram



\*See "Eyepiece tube" on page 6.

## Specifications

Optical system	CFI optical system
Magnification	40–1500x
Illumination	6V-20W halogen lamp, FL (field lens) unit, lamp changeable by removing the field lens unit
Coarse and fine focusing	Coaxial coarse/fine focusing with cross roller guide incorporated, 22mm coarse/fine focusing range, Coarse motion: 37.7mm/rotation, Fine motion: 0.2mm/rotation with 2µm scale increments, Coarse motion torque adjustable
Eyepiece tube	E2-TB binocular tube (inclination: 30°, 360° rotatable Siedentopf-type, interpupillary distance: 47–75mm) E2-TF binocular tube F (2-way, inclination: 30°, 360° rotatable Siedentopf-type, interpupillary distance: 47–75mm)
Eyepiece lens (with rubber eye guard)	E1-CFI 10x (F.O.V.: 18mm), CFI E 15x (F.O.V.: 12mm)
Condenser	Abbe condenser, NA 1.25 (aperture diaphragm with position guide marking for respective objectives), 33mm-diameter filters attachable (including standard blue filter)
Nosepiece	Quadruple click-stop, revolving mechanism with multiple ball bearings, elastic nosepiece grip-ring
Dedicated objectives	CFI BE Plan Achromat 4x (NA 0.1/W.D. 25mm), 10x (NA 0.25/W.D. 6.7mm), 20x (NA 0.4/W.D. 3.7mm), 40x (NA 0.65/W.D. 0.6mm), 60x (NA 0.8/W.D. 0.24mm), 100x (NA 1.25/W.D. 0.14mm), DL 10x (NA 0.25/W.D. 6.7), DL 40x (NA 0.65/W.D. 0.6), DL 100x (NA 1.25/W.D. 0.14)
Stage	Double-plate rectangular mechanical stage, stage size: 155 (W) x 134 (D)mm, removal slide holder, travel area: 76 (W) x 40 (D)mm, vernier provided
Substage	Adjustable vertical condenser movement range: 10mm
Optional accessories	Phase contrast attachment (dedicated Abbe condenser, sliders, objectives (10x, 40x, 100x), GIF filter, phase centering telescope), object marker, darkfield ring unit, mirror unit, cord hanger, storage case
Power consumption	50W
Weight	Approx. 7.3kg



Specifications and equipment are subject to change without any notice or obligation on the part of the manufacturer. August 2008 © 2006-8 NIKON CORPORATION



Monitor images are simulated.  
Company names and product names appearing in this brochure are their registered trademarks or trademarks.



ISO 9001 Certified  
NIKON CORPORATION  
Instruments Company



ISO 14001 Certified  
NIKON CORPORATION  
Yokohama Plant



### NIKON CORPORATION

6-3, Nishiohi 1-chome, Shinagawa-ku, Tokyo 140-8601, Japan  
phone: +81-3-3773-8973 fax: +81-3-3773-8986  
<http://www.nikon.com/products/instruments/>

### NIKON INSTRUMENTS INC.

1300 Walt Whitman Road, Melville, N.Y. 11747-3064, U.S.A.  
phone: +1-631-547-8500; +1-800-52-NIKON (within the U.S.A. only)  
fax: +1-631-547-0306

<http://www.nikoninstruments.com/>

### NIKON INSTRUMENTS EUROPE B.V.

Laan van Kronenburg 2, 1183 AS Amstelveen, The Netherlands  
phone: +31-20-44-96-222 fax: +31-20-44-96-298  
<http://www.nikoninstruments.eu/>

### NIKON INSTRUMENTS (SHANGHAI) CO., LTD.

CHINA phone: +86-21-5836-0050 fax: +86-21-5836-0030  
(Beijing branch) phone: +86-10-5869-2255 fax: +86-10-5869-2277  
(Guangzhou branch) phone: +86-20-3882-0552 fax: +86-20-3882-0580

### NIKON SINGAPORE PTE LTD

SINGAPORE phone: +65-6559-3618 fax: +65-6559-3668

### NIKON MALAYSIA SDN. BHD.

MALAYSIA phone: +60-3-7809-3688 fax: +60-3-7809-3633

### NIKON INSTRUMENTS KOREA CO., LTD.

KOREA phone: +82-2-2186-8410 fax: +82-2-555-4415

### NIKON CANADA INC.

CANADA phone: +1-905-602-9676 fax: +1-905-602-9953

### NIKON FRANCE S.A.S.

FRANCE phone: +33-1-4516-45-16 fax: +33-1-4516-45-55

### NIKON GMBH

GERMANY phone: +49-211-941-42-20 fax: +49-211-941-43-22

### NIKON INSTRUMENTS S.p.A.

ITALY phone: +39-055-300-96-01 fax: +39-055-30-09-93

### NIKON AG

SWITZERLAND phone: +41-43-277-28-67 fax: +41-43-277-28-61

### NIKON UK LTD.

UNITED KINGDOM phone: +44-208-247-1717 fax: +44-208-541-4584

### NIKON GMBH AUSTRIA

AUSTRIA phone: +43-1-972-6111-0 fax: +43-1-972-6111-40

### NIKON BELUX

BELGIUM phone: +32-2-705-56-65 fax: +32-2-726-66-45