

Lx 400

Research Microscopy



LABOMED
ideas for vision

The New Face of Lab Microscopy



1 Infinity Corrected Plan Achromatic objectives and Extra Wide Field focusable eyepieces ensure brilliant images with pristine color fidelity and contrast. Our Secure Rotation feature enables smooth and safe rotation of the viewing tube when locked into the stand.

2 Strain-free and safe operation is ensured through a highly ergonomic design with an ultra smooth focus drive, low-position stage controls, and a Rackless X-axis stage. Factory pre-centered fixed condenser is a standard.

3 Highly efficient Halogen or super bright LED (50,000 hours) illumination options available. Coupled with well designed optics, this system provides brilliant and even images under any light.

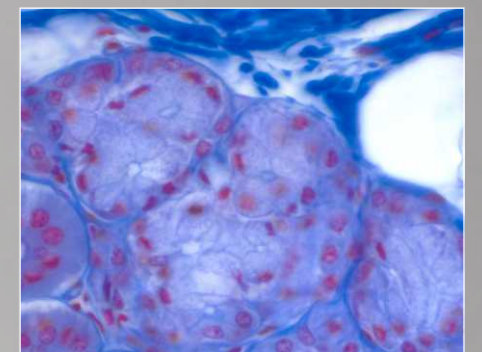


Lx 400

From the most basic to the more complex laboratory applications, the Lx 400 stands strong as a truly modular system. With an Infinity corrected Plan Achromatic optical system, users will enjoy crisp images with excellent color fidelity and high accuracy in image rendition for a wide spectrum of specimens.

Equal attention is given to the quality of this system's mechanical components, producing robust performance throughout the life of your microscope. With the LX series' cost effective synergy of beauty and brains, a balanced microscope no longer has to be a thing reserved for the financially privileged.

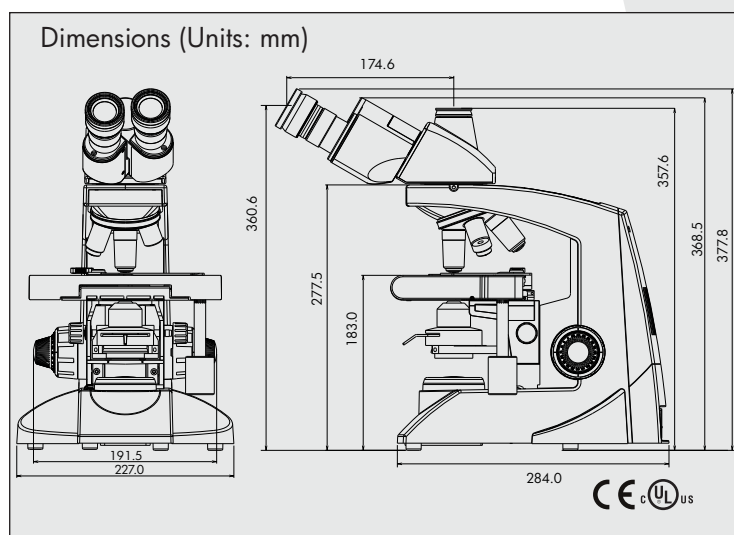
All contact surfaces are treated with antimicrobial agents to ensure zero point-of-contact bacterial contamination.



Lx 400 Research Microscope

Item	Specifications
- Stand	Single mold sturdy stand with anti rust materials. Extended base for better stability
- Viewing Bodies	Siedentopf Binocular and Trinocular head, 30° inclined, 360° rotatable, Inter pupillary distance 48 - 75mm
- Eyepiece	Focusable wide field eyepiece* 10x/20mm with foldable eye guard, anti fungal
- Nosepiece	Reverse angle quadruple nosepiece (Ball bearing type) with click stops and rubber grip
- Objectives	RP series infinity corrected DIN Plan Achromatic objectives* 4x (W.D. 30.0MM), 10x (W.D. 5.00MM), 40x (W.D. 0.65MM), 100x (W.D. 0.15MM) (spring loaded, oil), anti fungal
- Mechanical stage	Rackless X axis, double plate stage size 200 x 140mm, X/Y travel range 78mm x 54mm. Low drive right hand movement controls. Hard coated surface for scratch resistance. Double specimen holder.
- Condenser	Sub stage Abbe condenser NA 1.25 with aspheric lens*. Iris diaphragm with blue day light filter. Rack and pinion movements on stainless steel guides
- Focusing	Coaxial coarse and fine focusing on ball drive system for smooth operation
- Illumination	Halogen 6V-20W/30W or LED (in-built rechargeable battery) illumination with variable illumination control. Up to 2,000 hours of Halogen lamp life and 50, 000 hours of LED life
- Electrical	Universal input 100V - 240V AC, 50/60Hz. Built in voltage stabilizer
- Optional accessories	Zernike Phase contrast kit with RP series Phase objectives 10x/20x/40x/100x, Dark field kit, Simple Polarizer/Analyzer, Dual View attachment, Fluorescence attachment; Video adapter

Specifications



Configurations

Description	Configuration	Cat. No.
Standard, 20W	Binocular	9126001
Standard, 30W	Binocular	9126003
Standard, 20W	Trinocular	9126002
Standard, 30W	Trinocular	9126004
Phase obj., 30W	Binocular	9126005
Phase obj., 30W	Trinocular	9126006
Fluorescence		
FL attachment 50W	Binocular	9126009
FL attachment 50W	Trinocular	9126010
LED (Cordless)		
Standard, Plan	Binocular	9126011
Standard, Plan	Trinocular	9126012
Digital		
Standard, HL	Binocular, Digital 3.0MP Camera	9126014
Standard, HL	Binocular, Digital 5.0MP Camera	9126015
Standard, LED	Binocular, Digital 3.0MP Camera	9126016
Standard, LED	Binocular, Digital 5.0MP Camera	9126017

* All optical components are made of environment friendly LEAD free optical

Labo America, Inc.

920 Auburn Court
Fremont, CA 94538
U.S.A.

Tel: (510) 445-1257
Fax: (510) 991-9862
Email: sales@laboamerica.com

laboamerica.com



ISO 9001:2008
File No. A9020

Distributor