

# BK-POLR Transmitting & Reflecting Polarizing Microscope

---



**Microteb**

Tel: 021 66 97 60 37

Fax: 021 66 90 33 54

[www.microteb.com](http://www.microteb.com)

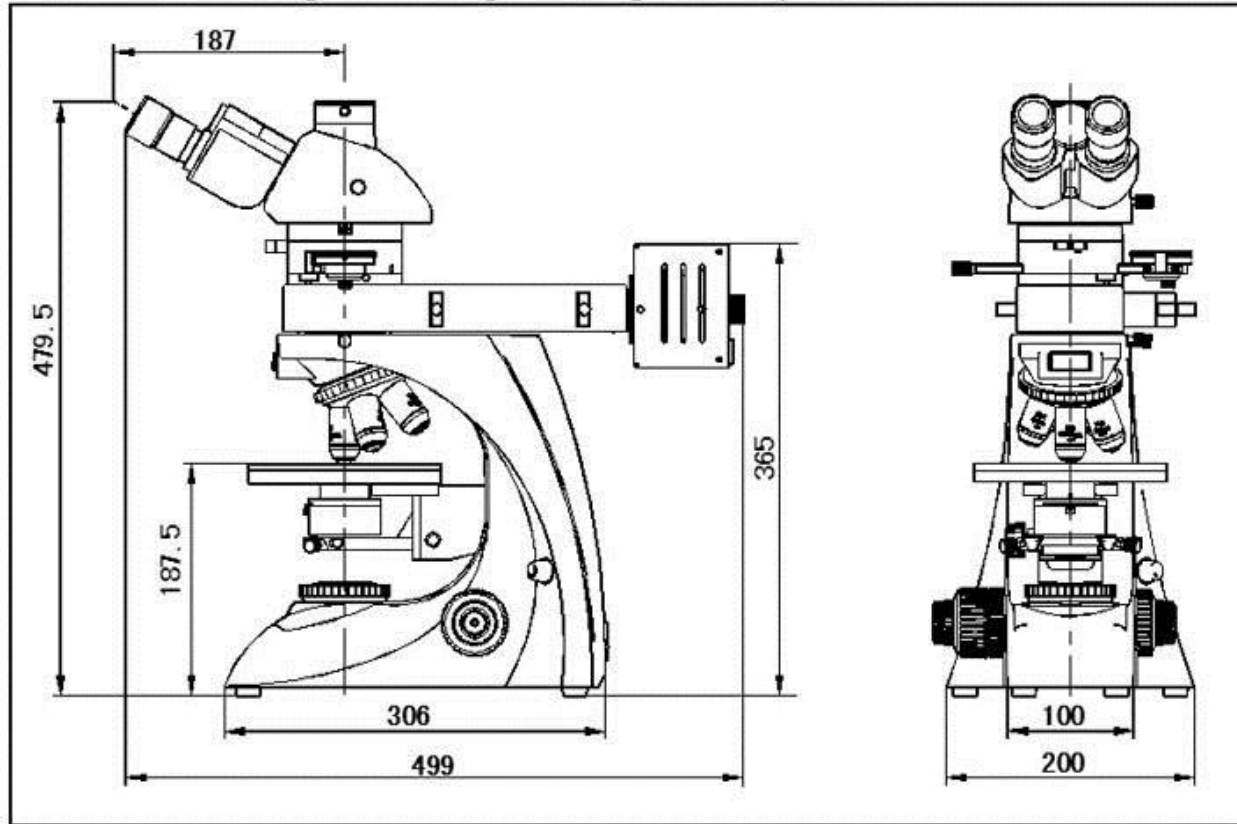
## Specification:

Items	Specification	BK-POLR
<b>Eyepiece</b>	WF10×-18 mm	●
	WF10×-18 mm (Reticule 0.1mm)	●
<b>Non-stress Infinity Plan Objective</b>	4×/0.10	●
	10×/0.25	●
	20×/0.45 (S)	●
	40×/0.65 (S)	●
	60×/0.80 (S)	●
<b>Binocular Head</b>	Inclined 30°,Rotatable 360°, Interpupillary Distance: 50-75mm	○
<b>Trinocular Head</b>	Inclined 30°, Rotatable 360°, Interpupillary Distance: 55-75mm.	●
<b>Nosepiece</b>	Quintuple (Adjustable independence)	●
<b>Polarizing Unit</b>	Rotatable 360°(Module Type,Can Be Locked)	●
<b>Bertrand Lens</b>	Inbuilt, Center Adjustable	●
<b>λSlip</b>	First Class Red	●
<b>λ/4 Slip</b>		●
<b>Quartz Wedge</b>	(I-IV Class)	●
<b>Revolving Round Stage</b>	Rotatable 360°, Center Adjustable, Division 1°, Vernier division 6'	●
<b>Polarizing Attached Mechanical Stage</b>		○
<b>Condenser</b>	Abbe N.A. 1.25,Non-stress	●
<b>Polarizing Unit with Scale</b>	Rotatable 360°,Can Be Locked	●
<b>Koehler Illumination</b>	6V/20W Halogen Lamp	●
<b>2 A Fuse</b>	Spare: 1 pc	●
<b>Filter</b>	Blue	●
	Amber	○
	Green	○
	Neutral	○
<b>C-mount</b>	0.5×, 1×	○
<b>Adaptor for Digital Camera</b>		○
<b>Reflecting Polarizing Unit</b>	Halogen Lamp House 12V/50W	●
	Power House	●
	Diaphragm Choosing Slide	●
	Polarizer Choosing Slide	●

Note: "●" In Table Is Standard Attachment. "○" Is Optional Accessories.

## Dimensions:

BK-POLR Transmitting & Reflecting Polarizing Microscope Dimensions:



**Packing Size:** 785mm × 340mm × 430mm

**Net Weight:** 13 kg

**Gross Weight:** 15 kg